

敬啟者 您好：

近年來WRO國際總部發現少數競賽組參賽隊伍的機器人及程式並非由隊伍自行設計，而是直接購買網路商家設計好的機器人及程式碼參與賽事，此行為已嚴重違反比賽公平性，更違反學習宗旨：機器人機構及程式由學生自行創作設計，從過程中學習及解決問題，帶隊老師（或教練）從旁適時協助指導。

本單位「社團法人台灣玉山機器人協會」將於國內WRO各賽事中依國際總部要求，於審查過程查驗平台是否與附圖相同，若經查屬實將比照WRO國際組織辦法辦理，當場取消該隊伍資格。

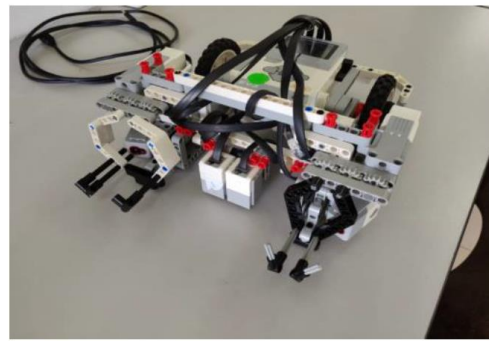


Online Solutions WRO 2019 Version: 29.05.2019

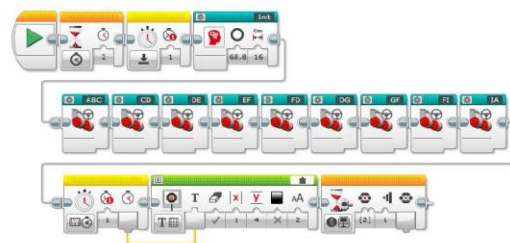
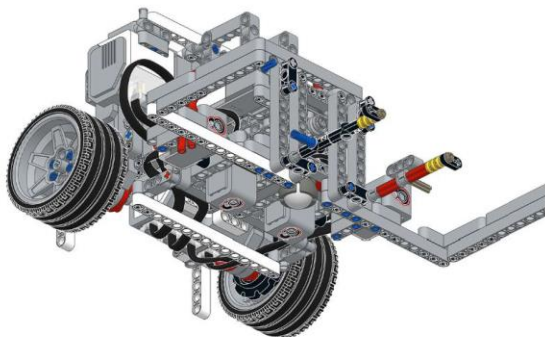
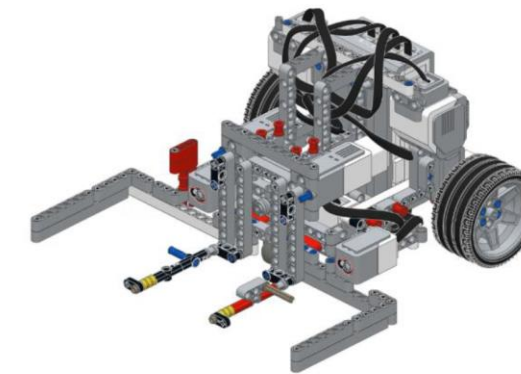
The following online solution that are for sale we found over the last weeks. Of course, there are more videos online that just show a robot on the WRO mat without the intention of selling this solution with all the details (3D model, building instruction, program etc.).

Elementary 2019 Solutions

Malaysia, 30 USD, 22.01.2019



Ukraine, 49 USD, 20.02.2019

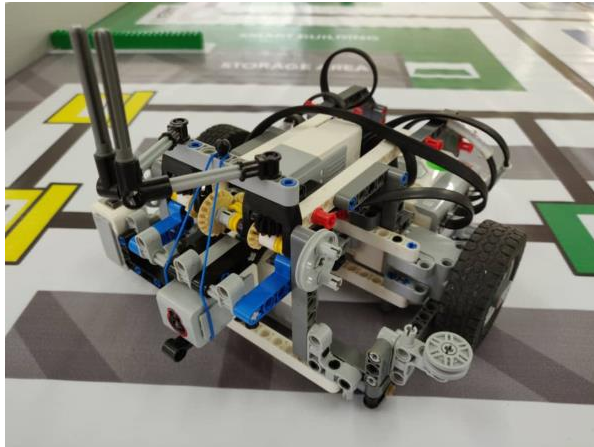


Russia, 150 USD, 10.05.2019

No further information available.

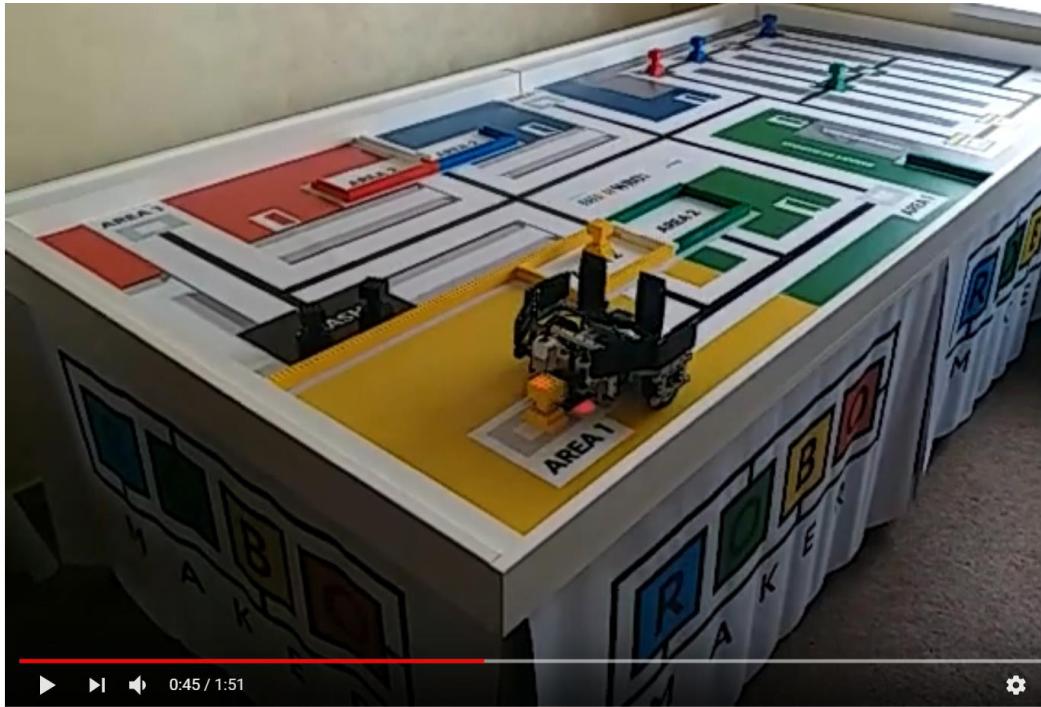
Junior 2019 Solutions

Malaysia, January 2019



unknown, 20.03.2019





19

觀看次數：3,590次

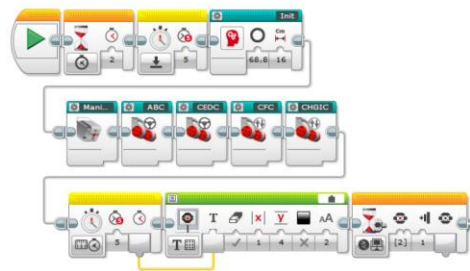
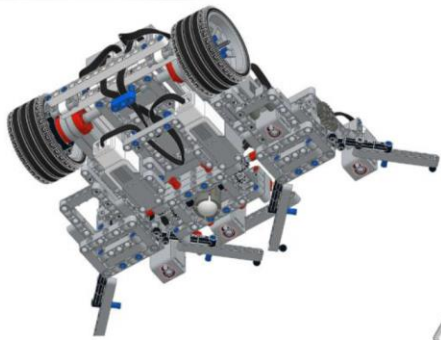
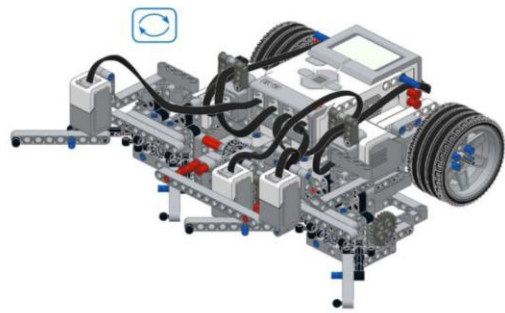
喜歡 不喜歡 分享

發佈日期：2019年3月26日

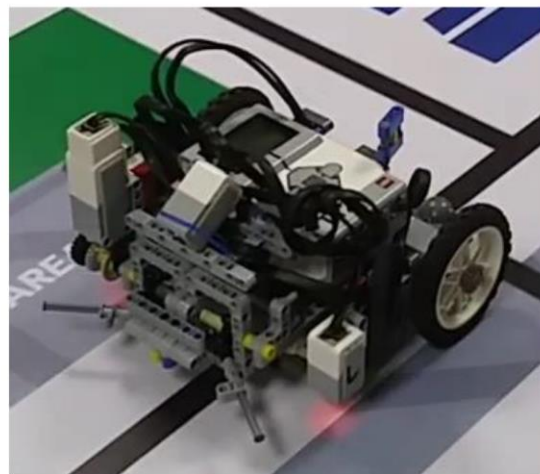
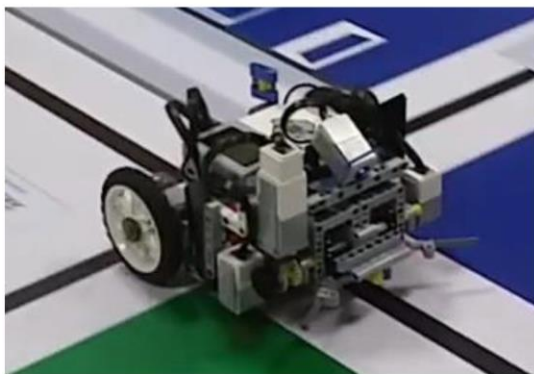
Solution for learning. \$ 50.
All questions:



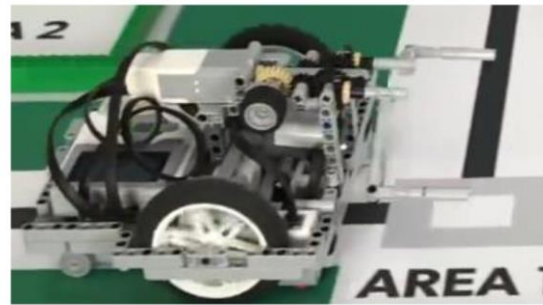
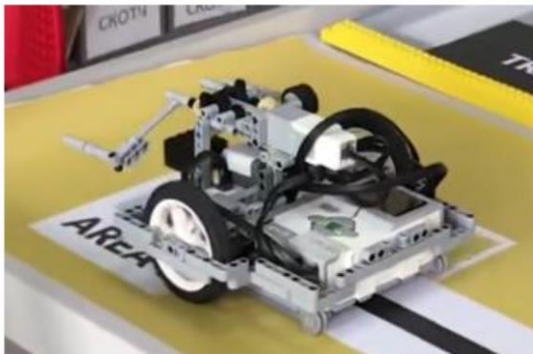
Ukraine, 49 USD, 22.03.2019



Ukraine, 50 USD, 29.04.2019



BANANA Холкин, Country unknown, 10.05.2019

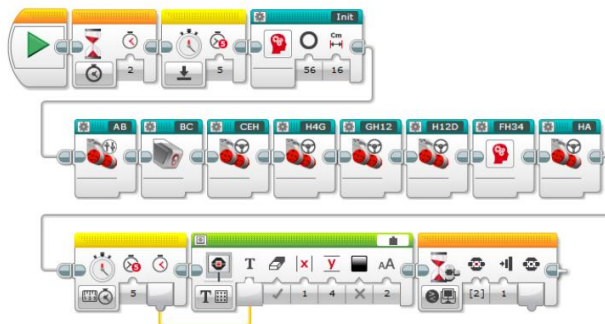
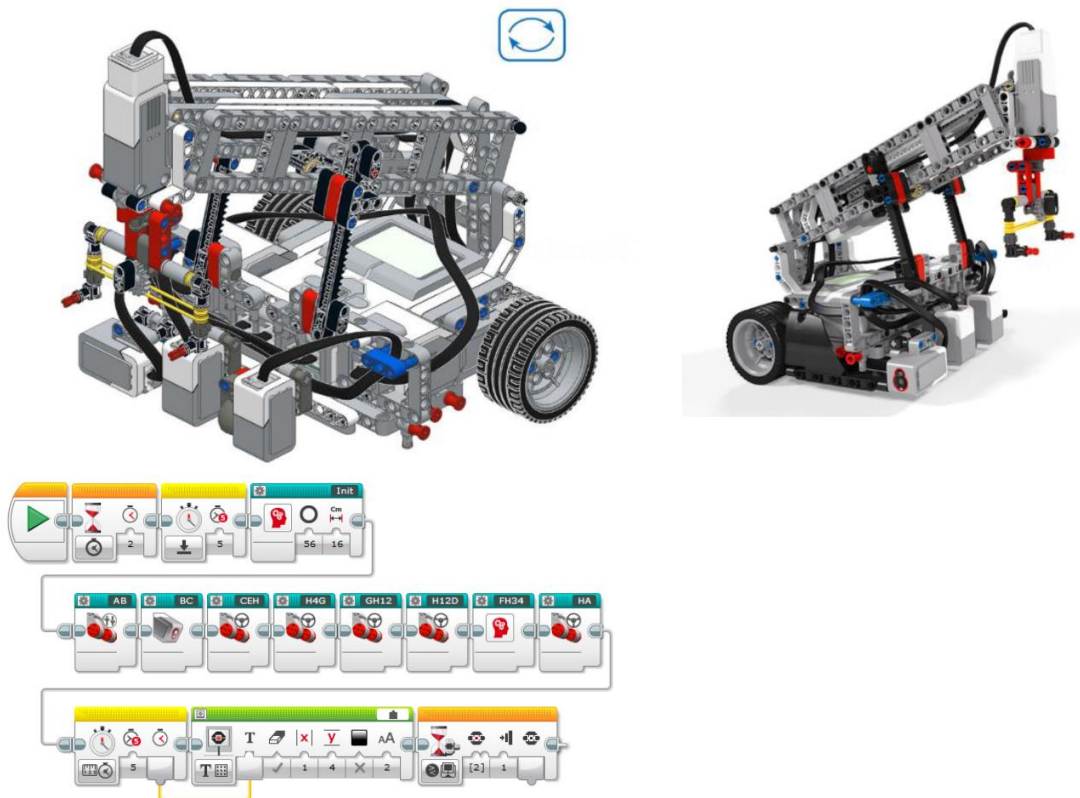


Senior Solutions 2019

Mad Robots, Russia, 22.02.2019

No further information available.

Ukraine, 13.03.2019



Tesslab Robotics, 150 USD, 13.05.2019





WRO 2019

\$150.00

ADD TO CART



WRO 2019 Senior High "Smart Network"

Average time of 1m30s

This solution uses:

- 1 EV3
- 3 Medium motors
- 1 Large Motor
- 4 EV3 Color sensor

This solution include:

- Instructions in LDD
- EV3-G program
- Video of robot doing mission
- Robot's pictures



No further information available.

