

敬啟者 您好：

近年來WRO國際總部發現少數競賽組參賽隊伍的機器人及程式並非由隊伍自行設計，而是直接購買網路商家設計好的機器人及程式碼參與賽事，此行為已嚴重違反比賽公平性，更違反學習宗旨：機器人機構及程式由學生自行設計創作，從過程中學習及解決問題，帶隊老師（或教練）從旁適時協助指導。

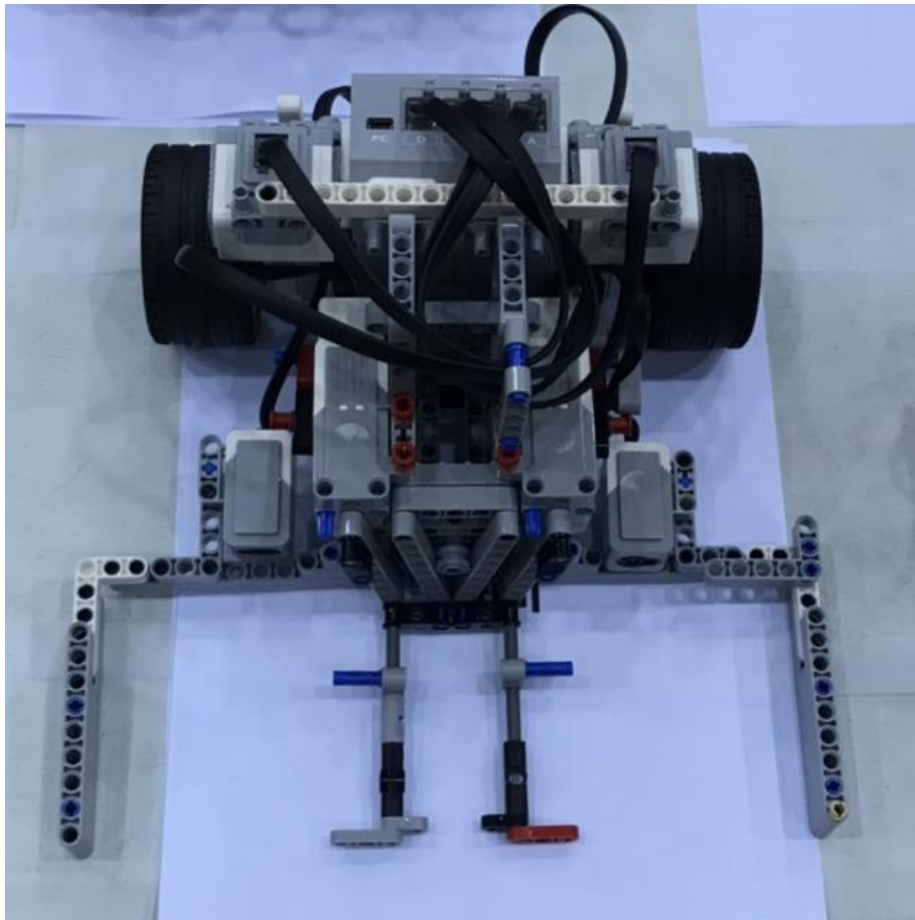
本單位「社團法人台灣玉山機器人協會」於國內WRO各賽事中陸續發現相似及相同機構，並已於賽事中宣達選手/教練/家長，將依國際總部要求，於**區賽/全國賽**機器人審查過程落實查驗平台機構結構設計是否與附圖相同或相似（比賽當天由裁判團隊裁定），若經查屬實將比照WRO國際組織辦法辦理，當場取消該隊伍資格。

如果隊伍對於機器人機構（或程式）不確認是否符合規定，可將機器人機構上、下、左、右、前、後六面的照片轉成一份pdf檔案（或程式），並寄到本協會

（richard@era.org.tw），協會將請評審團隊協助判定，並透過郵件方式回覆是否合格！



(如下圖照片機構將不得參與區賽及全國賽－拍攝來自校際盃賽事)



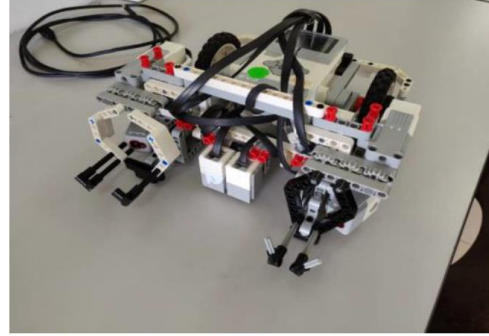
Online Solutions WRO 2019 Version: 29.05.2019

The following online solution that are for sale we found over the last weeks. Of course, there are more videos online that just show a robot on the WRO mat without the intention of selling this solution with all the details (3D model, building instruction, program etc.).

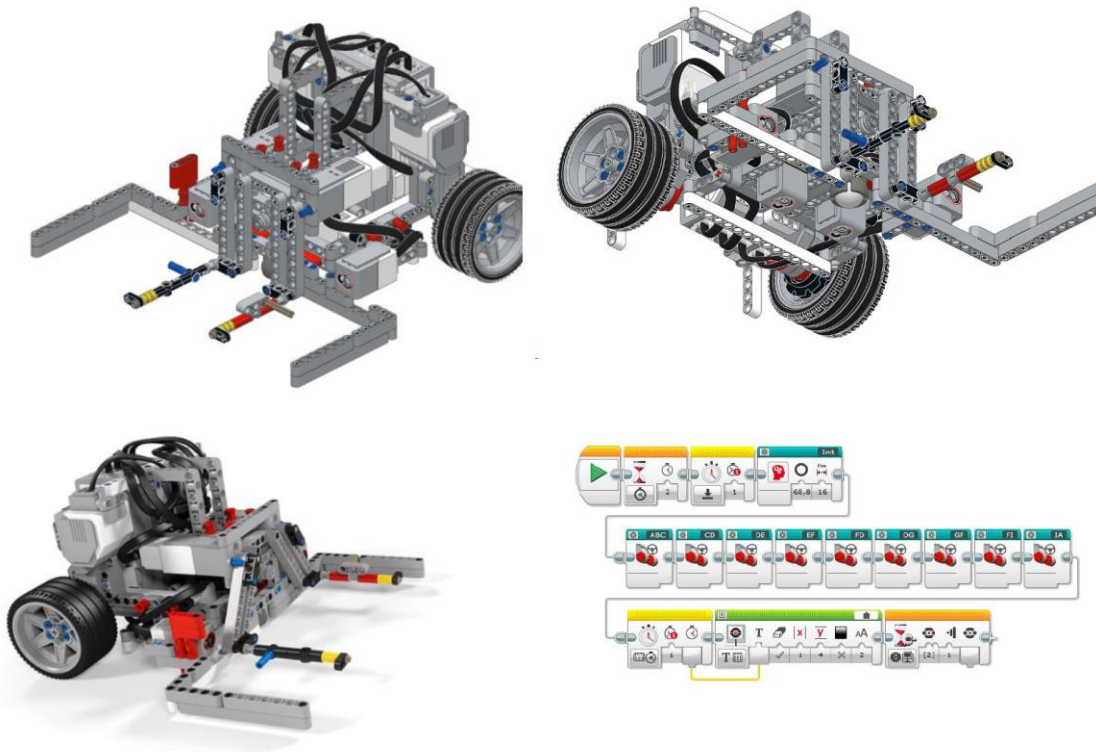
Elementary 2019 Solutions

Malaysia, 30 USD, 22.01.2019





Ukraine, 49 USD, 20.02.2019



Russia, 150 USD, 10.05.2019
No further information available.





WRO 2019

觀看次數：9,621次

57 2 分享 儲存



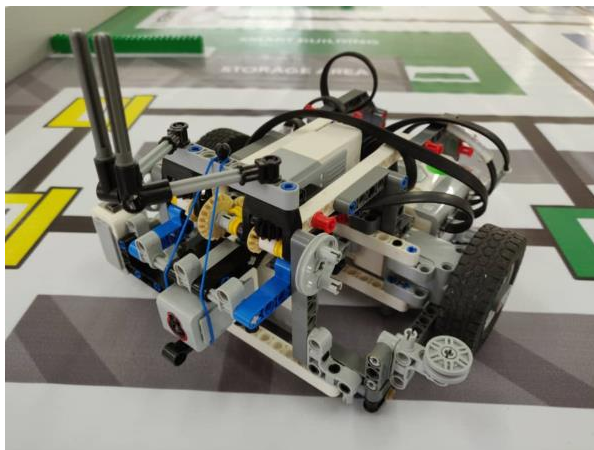
發佈日期：2019年4月29日

訂閱

Ready-made solution for learning. \$ 50.
All questions:

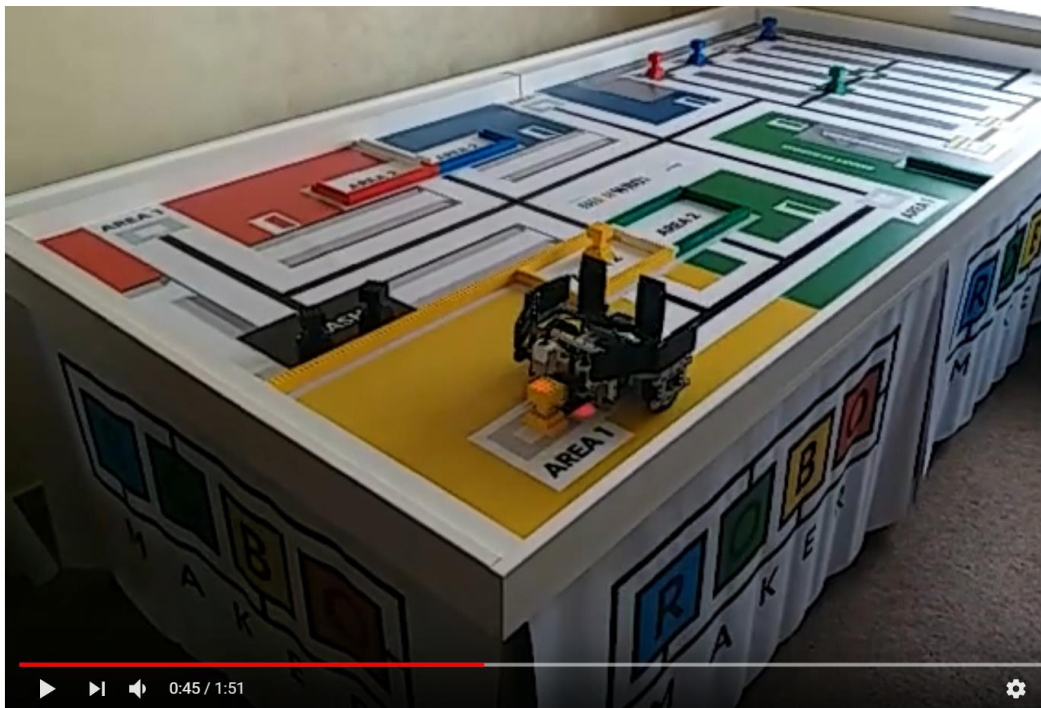
Junior 2019 Solutions

Malaysia, January 2019



unknown, 20.03.2019





19

觀看次數：3,590次

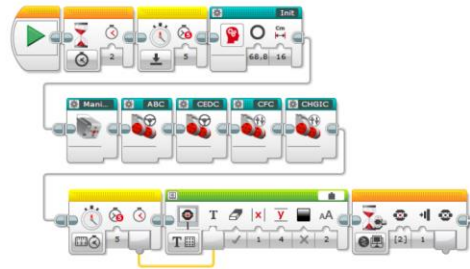
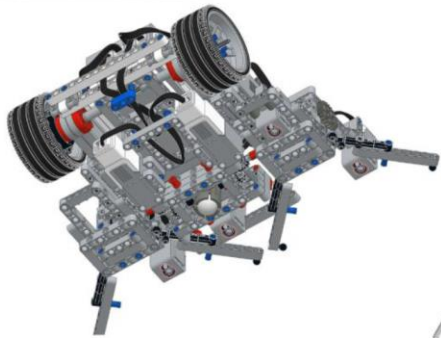
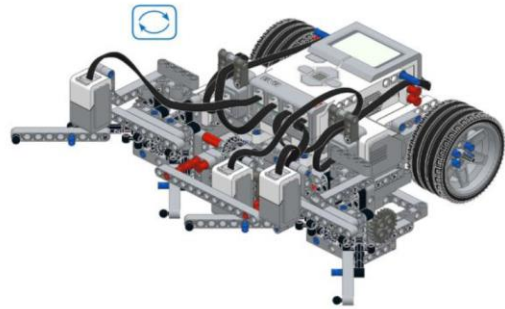
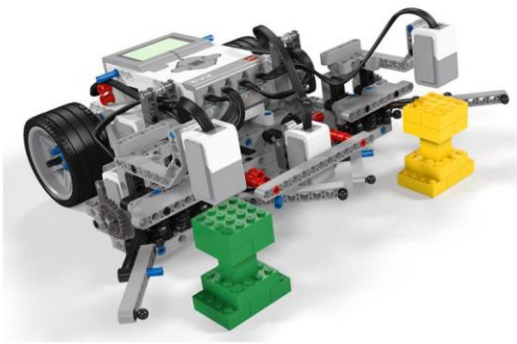
喜歡 不喜歡 分享

發佈日期：2019年3月26日

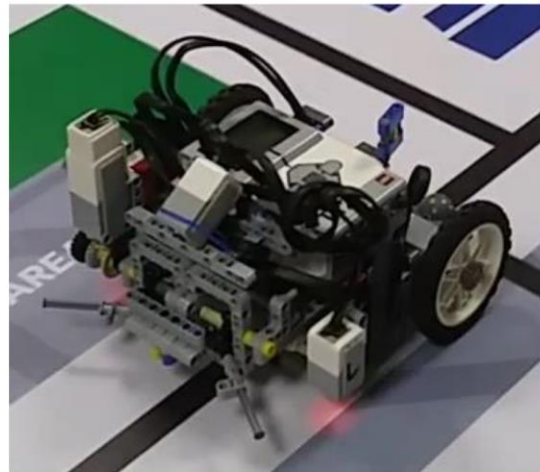
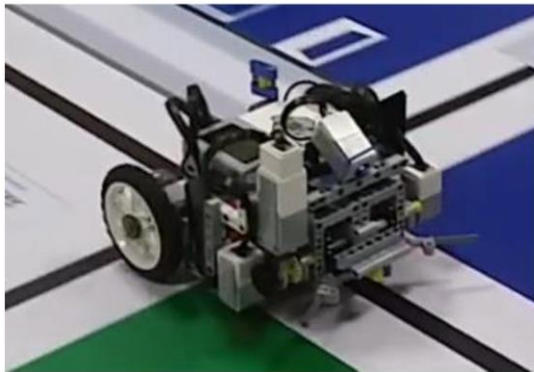
Solution for learning. \$ 50.
All questions:



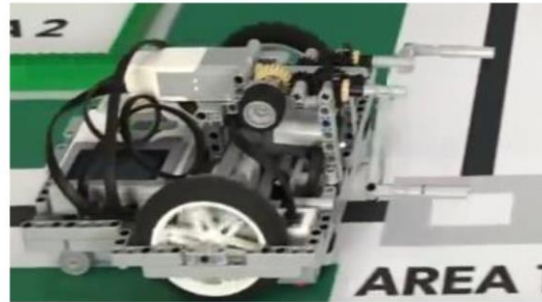
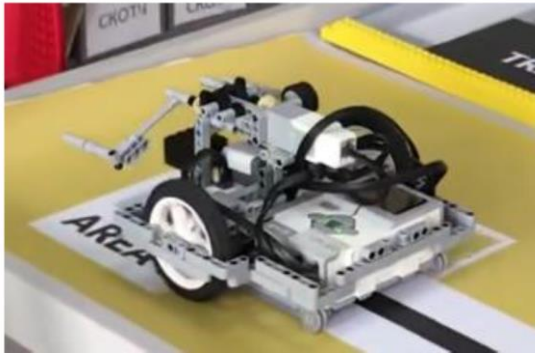
Ukraine, 49 USD, 22.03.2019



Ukraine, 50 USD, 29.04.2019



BANANA Холкин, Country unknown, 10.05.2019



Senior Solutions 2019

Mad Robots, Russia, 22.02.2019

No further information available.

Ukraine, 13.03.2019

A detailed LEGO Technic robot with a complex internal mechanism, including a motor, gears, and a large black wheel. A blue refresh icon is positioned above it.A LEGO Technic robot with a prominent tilted arm structure, featuring a motor and various gears. It has a single large black wheel.A screenshot of Scratch code blocks. The top row includes a 'when green flag clicked' block, a 'wait 2 seconds' block, a 'say Hello for 5 seconds' block, and an 'init' block. The middle row contains motor control blocks for ports AB, BC, CEH, H4G, GH12, H12D, FH34, and HA. The bottom row includes a 'say Hello for 5 seconds' block, a 'say Hello for 1 seconds' block, and a 'say Hello for 4 seconds' block.

Tesslab Robotics, 150 USD, 13.05.2019





WRO 2019

\$150.00

ADD TO CART



WRO 2019 Senior High "Smart Network"

Average time of 1m30s

This solution uses:

- 1 EV3
- 3 Medium motors
- 1 Large Motor
- 4 EV3 Color sensor

This solution include:

- Instructions in LDD
- EV3-G program
- Video of robot doing mission
- Robot's pictures



No further information available.

